

INSTRUCTION MANUAL

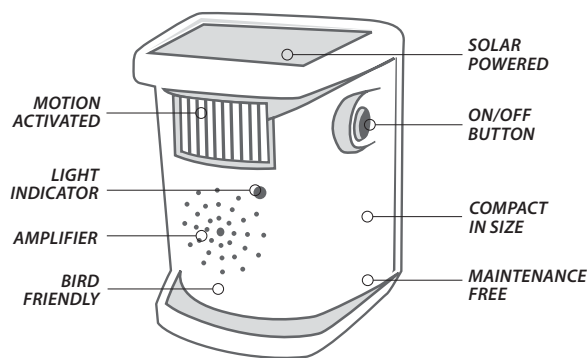
Ultrasonic & Predatory Units



Prior To Setting Up Units:

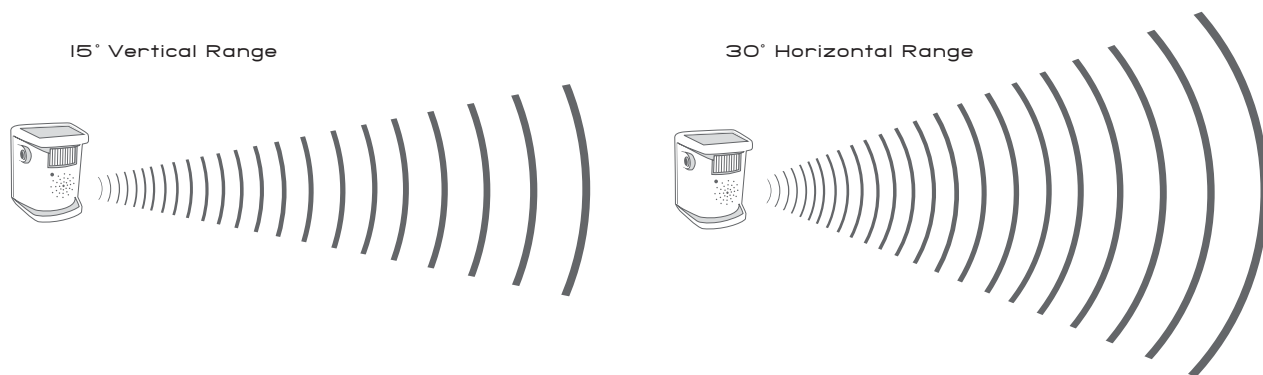
1. Survey the birds and their entry, exit, nesting and feeding habits.
2. Inspect your property. Discover what the pests find attractive about your area, and if the same conditions prevail in neighboring properties.
3. Remove inducements. Clean the area of all evidence of birds and the residual scent. Because birds and their droppings can cause many diseases, use extreme caution when removing them. Do not breathe or come into direct contact with them. If you have questions about how to do this safely, consult an expert. Remove food spillage, garbage, material and other appealing items.
4. Maintain a clean and changing environment. For maximum effectiveness, periodically repeat 3) above and relocate or reposition the unit, vary the output, or turn it off for a short time.
5. Install early. It is always best to install the Deck-Guard® before "bird season" begins, as it is easier to keep them away than to rout them out once they have already established a pattern.
6. Consider alternate locations. Make educated guesses as to where the birds will go when they leave their current infestation area, and consider purchasing units to cover these areas as well.
7. It's important to note, sound waves will not travel through obstacles such as glass or walls, but rather, will be deflected by these surfaces. This is important to keep in mind.

Unit Overview:



How Deck-Guard® Works:

It's important to remember that Deck-Guard® units emit sound unidirectional and in a conical manner. (See diagram)



Ultrasonic vs Predatory:

Deck-Guard's® Ultrasonic Repeller was designed to repel unwanted birds in smaller concentrated areas. This unit broadcasts ultrasonic sound at a frequency range of 10 to 20 Khz and protects an area of up to 30 ft. Deck-Guard's® Predatory Repeller was designed to repel unwanted flock of birds in larger areas such as yards and open fields. This unit utilizes (8) different types of auditory distress, predatory calls and protects an area of up to 70 ft.

Set-Up:

Setting up your Deck-Guard® is simple.

1. Gently pull off the tab on back of the unit (this will activate the batteries/unit).
2. Push the On/Off button. Light indicator will turn red when unit is on.
3. For best results, mount your Deck-Guard® vertically, at the exact level where birds are perching or flying into. Place the unit within 30 ft. of that area. Once turned on, motion sensor will activate when birds move into its coverage area.
4. Sunlight is needed to fully charge units. Batteries are used as back-up.

Fasteners:

Deck-Guard's® comes with temporary mounting options, including velcro, screws and plastic cable ties. Use these fasteners temporarily to identify the best location for the units. Once location has proven to be successful, fasten units with permanent fasteners.

Troubleshooting:

If you should have any troubleshooting issues, please visit our FAQ area at www.deck-guard.com or contact customer service at customerservice@deck-guard.com

Precautions:

Ultrasonic units are audible to 43% of humans. Even though the top range of the Deck-Guard's® 20 kHz, is above human hearing range (which averages, at top level, about 16 kHz), the intensity is great enough to present a chance of damage to the ear if it is directly exposed for an extended period of time. Predatory units are audible to 100% of humans. These units should definitely not be located at or near a place where someone will be located for a long time. We suggest that when you are sitting or working within range of the units, you turn it off, as human presence will normally deter pest birds. Though units are "Pet Friendly" consider the same precautions with a pet.

Warranty:

Manufacturer's Warranty: The Deck-Guard's® is warranted against defects in materials and workmanship for a period of six months from the shipping date. At the option of Deck-Guard® LLC, we will either replace or repair the defective unit.

Prior authorization and a returned goods authorization (RGA) number will be necessary from Deck-Guard®.

RETURNS ARE ACCEPTED ONLY WITH AUTHORIZATION FROM CUSTOMER SERVICE AT WWW.DECK-GUARD.COM

Specification:

- Dimensions: 4.5/8"H x 4"W x 3.1/4"D
- Shipping Weight: 3 pounds
- Weatherproof: Sleek, weatherproof casing is designed to withstand years of outdoor use.
- Solar Panel: 2.5" x 2.5"
- Motion-Sensor : Built-in motion-sensor activates when birds move into its coverage.
- Motion -Sensor Range: 30 ft.
- Protects: Ultrasonic unit up to 30 ft. - Predatory unit up to 70 ft.
- Ultrasonic: Broadcasts at a frequency range of 10-20 Khz.
- Predatory: Broadcasts (8) different auditory distress calls.
- Power Supply: Solar with Nickel Metal Hydride Rechargeable Back-up Batteries (5 year lifespan): (3) AA
- Compliance: UL and CE listed.
- Installs Easily: Mount it nearly anywhere.
- Continuous Operation: Once turned on, repels birds 24/7, day or night.
- Maintenance-Free: When installed properly, no ongoing maintenance is required.
- No Moving Parts: No mechanical repairs needed.
- Discreet: Unobtrusive design.



For troubleshooting issues visit:

www.deck-guard.com